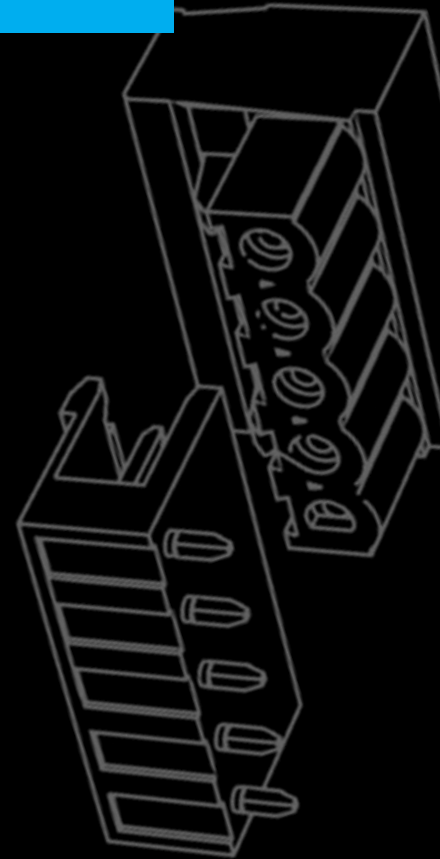
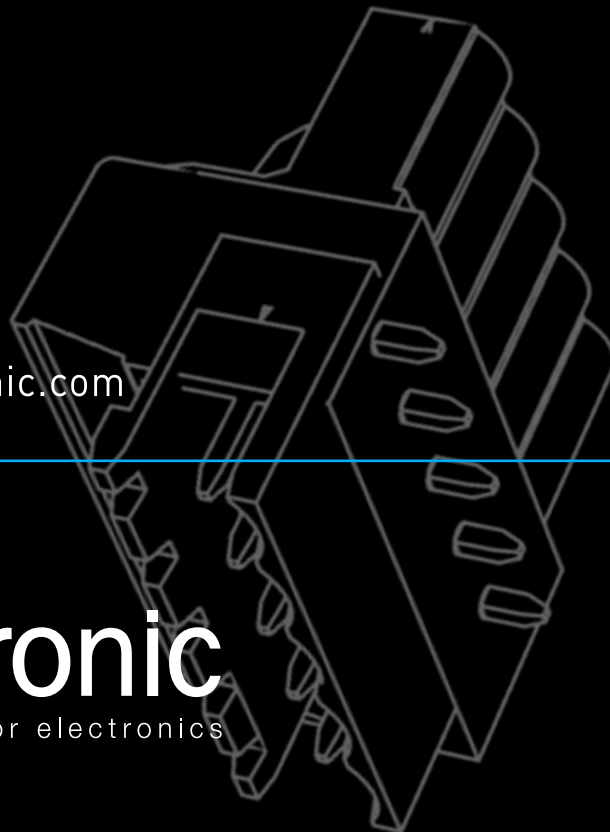

A WORLD OF ENCLOSURES

TERMINAL SHORT FOLDER



www.italtronic.com

italtronic
enclosures for electronics

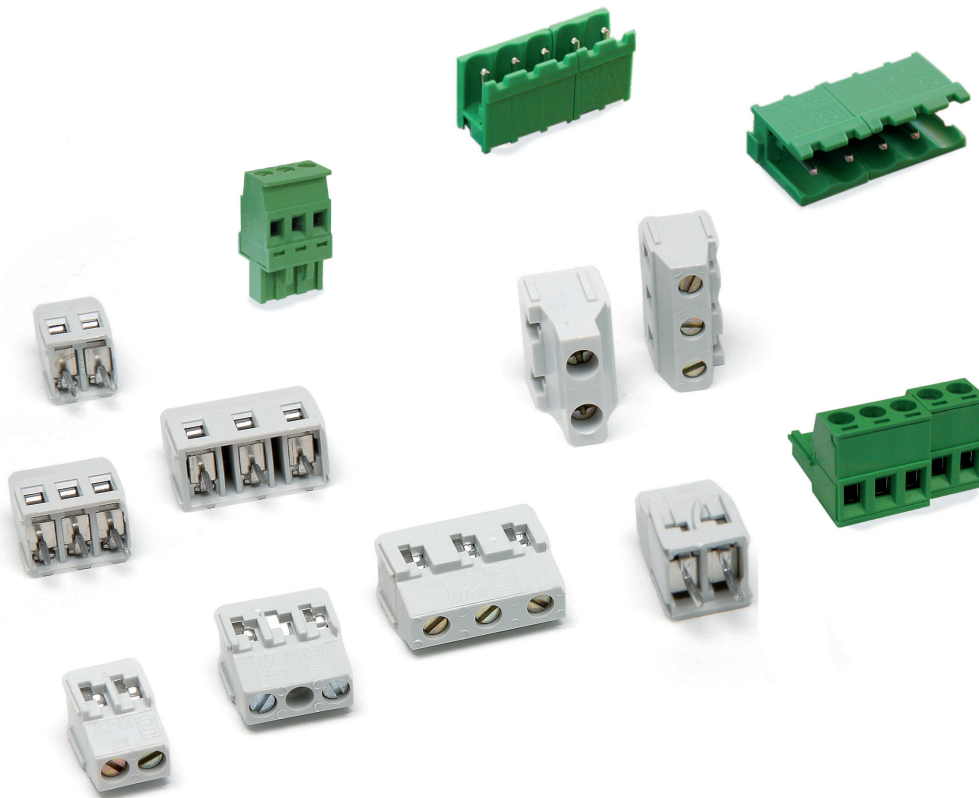


CARATTERISTICHE GENERALI

Selezione per ITALTRONIC

GENERAL FEATURES

Italtronic dedicated selection



TERMINAL

Morsetto componibile per circuito stampato

Materiale: Poliammide UL 94V-0 autoestinguente

CARATTERISTICHE

Italtronic ha selezionato dal mercato alcuni prodotti che completano perfettamente i contenitori di nostra produzione. Le morsettiere proposte sono elementi di connessione che si inseriscono nella fascia medio/alta della componentistica per circuito stampato attualmente in commercio. Esse sono del tipo ad accoppiamento a coda di rondine onde ottenere, se necessario, composizioni con un alto numero di poli. Il morsetto tipo a carrello permette un uniforme serraggio del cavo, senza sollecitare il pin saldato sul circuito stampato. Il terminale, in ottone stagnato, è provvisto di rigatura mordifilo per garantire la tenuta del cavo allo strappo. La vite M3, in acciaio zincato, è sottoposta ad un adeguato trattamento di cementazione, onde migliorare la coppia di serraggio. Il materiale plastico usato è di tipo autostinguente. La particolare attenzione riservata nella selezione dei fornitori permette di immettere sul mercato un prodotto perfettamente rispondente alle varie normative internazionali, garantendo gli utilizzatori nel processo applicativo.

TERMINAL

Connectable terminal block for printed circuit board

Material: Self-extinguishing Polyamide UL 94V-0

FEATURES

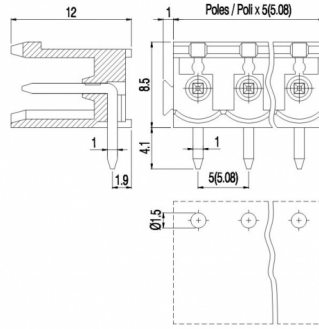
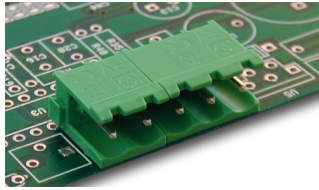
Italtronic has selected, in the market, some products which complete perfectly the enclosures of its own production. The proposed terminal blocks belong to the medium/high category of the printed circuit components in the market. The dove-tail type is used to obtain a composition with a high numbers of poles. The carriage type is used to obtain an equal fixing of the cable without stressing the soldered pins on the pcb. The finned brass pin is provided with a groove to grant wire tearing resistance. The M3 screw is in zinc plated steel and, due to a hardening process, becomes stronger when mounted. The plastic material is self-extinguishing. A special attention is given to the supplier's selection, obtaining, in this way, a product which corresponds to the several international standards and is reliable while used during the mounting process.

UTILIZZO DEI MORSETTI / USE OF THE TERMINAL BLOCKS

	INCABOX	INCABOX XT/XTS	MODULBOX	MODULBOX XTS/XT	RAILBOX
MV 25	-	-	•	•	-
MV 27	-	-	•	•	-
MV 46	-	-	•	•	-
MV 49	-	-	•	•	-
MV 1	•	-	-	-	-
MV 47	-	-	•	•	-
MV 10	-	-	•	•	-
PV/SH	•	•	•	•	•
5EH	-	-	-	-	•
5ESDA	-	-	-	-	•
5ES	-	-	-	-	•

PVxx-5,08-H-M

TERMINAL



GENERAL INFORMATION	
pitch:	5,08 mm
housing height:	8,50 mm
housing depth:	12 mm
dimensional class:	medium
wire section:	-
clamp opening size:	-
wire stripping:	-
operating temperature:	-40°C ÷ +130°C

ELECTRICAL CHARACTERISTICS	
current:	12A
voltage:	250V
impulse voltage:	4 kV

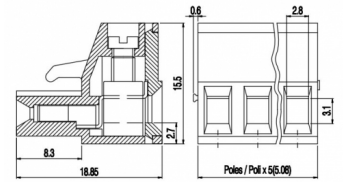
MECHANICAL CHARACTERISTICS	
-	

APPROVALS DATA

	CSV	VDE	UL US
current:	EN 61984 12A	EN 61984 12A	UL 1059 12A factory / 12A field
voltage:	250V	250V	300V
FILE:	CA02.04178	40005779	E178356

MATERIALS	poles	P/N	codes
housing:	02	PA - UL 94 V0	PV02-5,08-H-M 21.2202050
screw:	03	n/a	PV03-5,08-H-M 21.2203050
clamp/spring:		n/a	
terminal:		Tin-plated copper alloy	

SHxx-5,08-M



GENERAL INFORMATION	
pitch:	5,08 mm
housing height:	15,50 mm
housing depth:	18,85 mm
dimensional class:	medium
wire section:	2,5 mm ² / 14 AWG
clamp opening size:	2,8 x 3,1 mm
wire stripping:	max 8 mm
operating temperature:	-40°C ÷ +130°C

ELECTRICAL CHARACTERISTICS	
current:	16A
voltage:	250V
impulse voltage:	4 kV

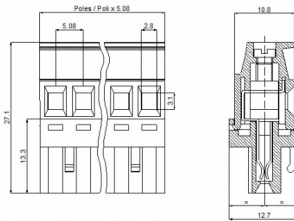
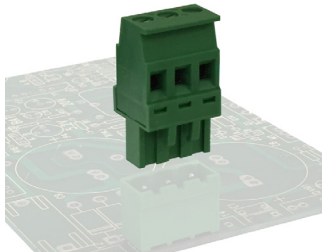
MECHANICAL CHARACTERISTICS	
screw:	M3
max. torque:	0,5 Nm / 4,5 in.lbs

APPROVALS DATA

	CSV	VDE	UL US
current:	EN 61984 16A	EN 61984 12A	UL 1059 12A factory / 12A field
voltage:	250V	250V	300V
wire section:	2,5mm ²	2,5mm ²	14:30AWG
torque:	0,5Nm	0,5Nm	4,5Lb-in
FILE:	CA02.04178	40005779	E178356

MATERIALS	poles	P/N	codes
housing:	02	PA - UL 94 V0	SH02-5,08-M 21.2702050
screw:	03	Galvanized steel	SH03-5,08-M 21.2703050
clamp/spring:		Nickeled copper alloy	
terminal:		Copper alloy	

SVxx-5,08-F



GENERAL INFORMATION	
pitch:	5,08 mm
housing height:	27,60 mm
housing depth:	13,5 mm
dimensional class:	medium
wire section:	2,5 mm ² / 14 AWG
clamp opening size:	2,8 x 3,1 mm
wire stripping:	max 9 mm
operating temperature:	-40°C ÷ +130°C

ELECTRICAL CHARACTERISTICS	
current:	16A
voltage:	250V
impulse voltage:	4 kV

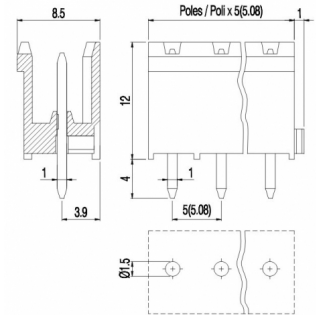
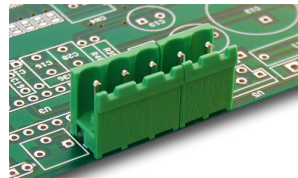
MECHANICAL CHARACTERISTICS	
screw:	M3
max. torque:	0,5 Nm / 4,5 in.lbs

APPROVALS DATA

	CSV	VDE	UL US
current:	EN 61984 16A	EN 61984 12A	UL 1059 12A factory / 12A field
voltage:	250V	250V	300V
wire section:	2,5mm ²	2,5mm ²	14:30AWG
torque:	0,5Nm	0,5Nm	4,5Lb-in
FILE:	CA02.04178	40005779	E178356

MATERIALS	poles	P/N	codes
housing:	02	PA - UL 94 V0	SV02-5,08-F 21.3702050
screw:	03	Galvanized steel	SV03-5,08-F 21.3703050
clamp/spring:	04	Nickeled copper alloy	SV04-5,08-F 21.3704050
terminal:	05	Nickeled copper alloy	SV05-5,08-F 21.3705050
	06		SV06-5,08-F 21.3706050
	07		SV07-5,08-F 21.3707050
	08		SV08-5,08-F 21.3708050
	09		SV09-5,08-F 21.3709050

PVxx-5,08-V-M



GENERAL INFORMATION	
pitch:	5,08 mm
housing height:	12,00 mm
housing depth:	8,5 mm
dimensional class:	medium
wire section:	-
clamp opening size:	-
wire stripping:	-
operating temperature:	-40°C ÷ +130°C

ELECTRICAL CHARACTERISTICS	
current:	12A
voltage:	250V
impulse voltage:	4 kV

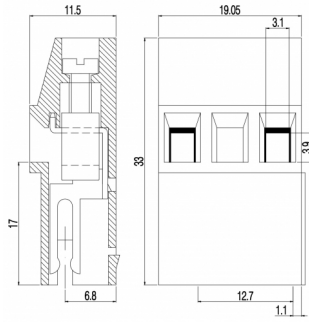
MECHANICAL CHARACTERISTICS	
-	

APPROVALS DATA

	CSV	VDE	UL US
current:	EN 61984 12A	EN 61984 12A	UL 1059 12A factory / 12A field
voltage:	250V	250V	300V
FILE:	CA02.04178	40005779	E178356

MATERIALS	poles	P/N	codes
housing:	02	PA - UL 94 V0	PV02-5,08-V-M 21.2102050
screw:	03	n/a	PV03-5,08-V-M 21.2103050
clamp/spring:		n/a	
terminal:		Tin-plated copper alloy	

MV1x-12,7-V



GENERAL INFORMATION

pitch:	12,7 mm
housing height:	33,00 mm
housing depth:	11,5 mm
dimensional class:	medium
wire section:	4.0 mm ² / 12 AWG
clamp opening size:	3.2 x 3.5 mm
wire stripping:	max 10 mm
operating temperature:	-40°C ÷ +130°C

ELECTRICAL CHARACTERISTICS

current:	25A
voltage:	750V
test voltage:	3 kVrms/60s

MECHANICAL CHARACTERISTICS

screw:	M3
max. torque:	0.5 Nm / 4.5 in.lbs

APPROVALS DATA



current:	-	UL 1059
voltage:	-	25A factory / 20A field
wire section:	-	600V
torque:	-	12÷30AWG
FILE:	-	4.5Lb-in E178356

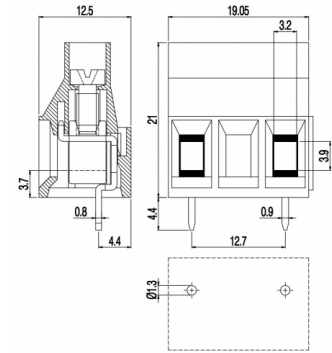
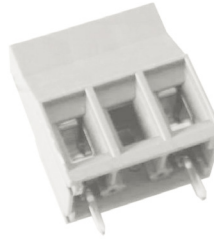
MATERIALS

housing:	PA - UL 94 V0
screw:	Galvanized steel
clamp/spring:	Nickel copper alloy
terminal:	Nickel copper alloy

poles P/N codes

1	MV11-12,7-V	21.1901122
2	MV12-12,7-V	21.1902122

MV46x-12,7-V



GENERAL INFORMATION

pitch:	12,7 mm
housing height:	21,00 mm
housing depth:	12,5 mm
dimensional class:	high
wire section:	6.0 mm ² / 10 AWG
clamp opening size:	3.2 x 3.9 mm
wire stripping:	max 9 mm
operating temperature:	-40°C ÷ +130°C

ELECTRICAL CHARACTERISTICS

current:	32A
voltage:	750V
test voltage:	3 kVrms/60s

MECHANICAL CHARACTERISTICS

screw:	M3
max. torque:	0.8 Nm / 7.2 in.lbs

APPROVALS DATA



current:	EN 60998-1	EN 60998-1	UL 1059
voltage:	32A	25A	30A factory / 30A field
wire section:	750V	750V	600V
torque:	6.0mm ²	4.0mm ²	10÷30AWG
FILE:	0.8Nm EP150	0.5Nm 40014734	7.2Lb-in E178356

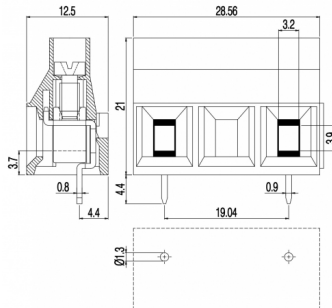
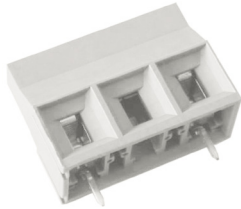
MATERIALS

housing:	PA - UL 94 V0
screw:	Galvanized steel
clamp/spring:	Nickel copper alloy
terminal:	Tin-plated copper alloy

poles P/N codes

1	MV461-12,7-V	21.1501121
2	MV462-12,7-V	21.1502121

MV49x-19,04-V



GENERAL INFORMATION

pitch:	19,04 mm
housing height:	21,00 mm
housing depth:	12,5 mm
dimensional class:	high
wire section:	6.0 mm ² / 10 AWG
clamp opening size:	3.2 x 3.9 mm
wire stripping:	max 9 mm
operating temperature:	-40°C ÷ +130°C

ELECTRICAL CHARACTERISTICS

current:	32A
voltage:	750V
test voltage:	3 kVrms/60s

MECHANICAL CHARACTERISTICS

screw:	M3
max. torque:	0.8 Nm / 7.2 in.lbs

APPROVALS DATA



current:	EN 60998-1	EN 60998-1	UL 1059
voltage:	32A	25A	30A factory / 30A field
wire section:	750V	750V	600V
torque:	6.0mm ²	4.0mm ²	10÷30AWG
FILE:	0.8Nm EP150	0.8Nm 40014734	7.2Lb-in E178356

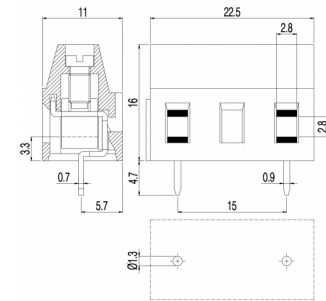
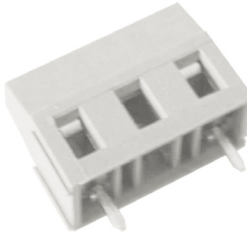
MATERIALS

housing:	PA - UL 94 V0
screw:	Galvanized steel
clamp/spring:	Nickel copper alloy
terminal:	Tin-plated copper alloy

poles P/N codes

1	MV491-19,04-V	21.1701191
2	MV492-19,04-V	21.1702191

MV27x-15-V



GENERAL INFORMATION

pitch:	15 mm
housing height:	16,00 mm
housing depth:	11 mm
dimensional class:	medium
wire section:	2.5 mm ² / 14 AWG
clamp opening size:	2.8 x 2.8 mm
wire stripping:	max 7 mm
operating temperature:	-40°C ÷ +130°C

ELECTRICAL CHARACTERISTICS

current:	16A
voltage:	750V
test voltage:	3 kVrms/60s

MECHANICAL CHARACTERISTICS

screw:	M3
max. torque:	0.5 Nm / 4.5 in.lbs

APPROVALS DATA



current:	EN 60998-1	EN 60998-1	UL 1059
voltage:	16A	16A	16A factory / 15A field
wire section:	750V	750V	300V
torque:	2.5mm ²	2.5mm ²	14÷30AWG
FILE:	0.5Nm EP149	0.5Nm 40023956	4.5Lb-in E178356

MATERIALS

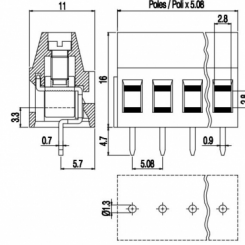
housing:	PA - UL 94 V0
screw:	Galvanized steel
clamp/spring:	Nickel copper alloy
terminal:	Tin-plated copper alloy

poles P/N codes

1	MV271-15-V	21.1301151
2	MV272-15-V	21.1302151

MV25x-5,08-V

TERMINAL



Version with antirotation pegs is available on 2 poles connections.
Disponibile per connessioni a 2 poli versioni con perni antirotazione.

GENERAL INFORMATION	
passo:	5,08 mm
altezza del corpo:	16,00 mm
profondità del corpo:	11 mm
classe dimensionale:	media
sezione conduttore:	2.5 mm ² / 14 AWG
diametro filo:	2.8 x 2.8 mm
spellatura cavo:	max 8 mm
temp. di esercizio:	-40°C ÷ +130°C

ELECTRICAL CHARACTERISTICS	
corrente:	16A
tensione:	450V
tensione di prova:	2.5 kVrms/60s

MECHANICAL CHARACTERISTICS	
vite:	M3
coppia massima:	0.5 Nm / 4.5 in.lbs

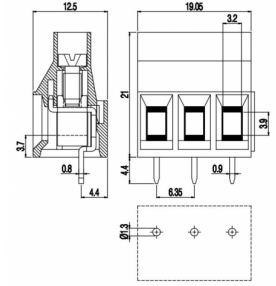
APPROVALS DATA

	CSV	VDE	UL US
corrente:	EN 60998-1 16A	EN 60998-1 16A	UL 1059 16A factory / 15A field
tensione:	450V	450V	300V
sezione filo conduttore:	2.5mm ²	2.5mm ²	14+30AWG
coppia:	0.5Nm	0.5Nm	4.5Lb-in
FILE:	EP149	40023956	E178356

MATERIALS	
corpo isolante:	PA - UL 94 V0
vite:	Acciaio zincato
morsetto/molla:	Lega di rame nichelata
terminale:	Lega di rame stagnata

poles	P/N	codes
2	MV252-5,08-V	21.0102051
3	MV253-5,08-V	21.0103051
4	MV254-5,08-V	21.0104051
8	MV258-5,08-V	21.0108051

MV46x-6,35-V



GENERAL INFORMATION	
passo:	6,35 mm
altezza del corpo:	21,00 mm
profondità del corpo:	12,5 mm
classe dimensionale:	alta
sezione conduttore:	6.0 mm ² / 10 AWG
diametro filo:	3.2 x 3.9 mm
spellatura cavo:	max 9 mm
temp. di esercizio:	-40°C ÷ +130°C

ELECTRICAL CHARACTERISTICS	
corrente:	32A
tensione:	450V
tensione di prova:	2.5 kVrms/60s

MECHANICAL CHARACTERISTICS	
vite:	M3
coppia massima:	0.8 Nm / 7.2 in.lbs

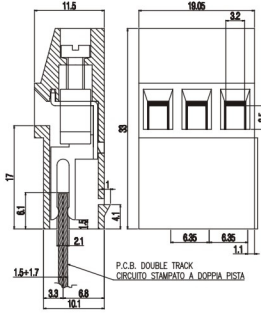
APPROVALS DATA

	CSV	VDE	UL US
corrente:	EN 60998-1 32A	EN 60998-1 25A	UL 1059 30A factory / 30A field
tensione:	450V	450V	300V
sezione filo conduttore:	6.0mm ²	4.0mm ²	10+30AWG
coppia:	0.8Nm	0.5Nm	7.2Lb-in
FILE:	EP150	40014734	E178356

MATERIALS	
corpo isolante:	PA - UL 94 V0
vite:	Acciaio zincato
morsetto/molla:	Lega di rame nichelata
terminale:	Lega di rame stagnata

poles	P/N	codes
2	MV462-6,35-V	21.1502061
3	MV463-6,35-V	21.1503061

MV1x-6,35-V



GENERAL INFORMATION	
pitch:	6,35 mm
housing height:	33,00 mm
housing depth:	11,5 mm
dimensional class:	medium
wire section:	4.0 mm ² / 12 AWG
clamp opening size:	3.2 x 3.5 mm
wire stripping:	max 10 mm
operating temperature:	-40°C ÷ +130°C

ELECTRICAL CHARACTERISTICS	
current:	25A
voltage:	450V
test voltage:	2.5 kVrms/60s

MECHANICAL CHARACTERISTICS	
screw:	M3
max. torque:	0.5 Nm / 4.5 in.lbs

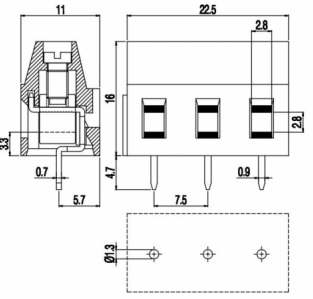
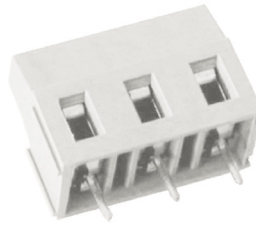
APPROVALS DATA

	CSV	VDE	UL US
current:	-	-	UL 1059 25A factory / 20A field
voltage:	-	-	300V
wire section:	-	-	12+30AWG
torque:	-	-	4.5Lb-in
FILE:	-	-	E178356

MATERIALS	
housing:	PA - UL 94 V0
screw:	Galvanized steel
clamp/spring:	Nickel copper alloy
terminal:	Nickel copper alloy

poles	P/N	codes
2	MV12-6,35-V	21.1902062
3	MV13-6,35-V	21.1903062

MV27x-7,5-V



GENERAL INFORMATION	
pitch:	7,5 mm
housing height:	16,00 mm
housing depth:	11 mm
dimensional class:	medium
wire section:	2.5 mm ² / 14 AWG
clamp opening size:	2.8 x 2.8 mm
wire stripping:	max 8 mm
operating temperature:	-40°C ÷ +130°C

ELECTRICAL CHARACTERISTICS	
current:	16A
voltage:	750V
test voltage:	3 kVrms/60s

MECHANICAL CHARACTERISTICS	
screw:	M3
max. torque:	0.5 Nm / 4.5 in.lbs

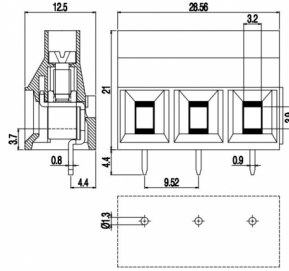
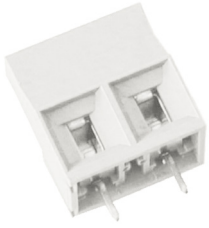
APPROVALS DATA

	CSV	VDE	UL US
current:	EN 60998-1 16A	EN 60998-1 16A	UL 1059 16A factory / 15A field
voltage:	750V	750V	300V
wire section:	2.5mm ²	2.5mm ²	14+30AWG
torque:	0.5Nm	0.5Nm	4.5Lb-in
FILE:	EP149	40023956	E178356

MATERIALS	
housing:	PA - UL 94 V0
screw:	Galvanized steel
clamp/spring:	Nickel copper alloy
terminal:	Tin-plated copper alloy

poles	P/N	codes
2	MV272-7,5-V	21.1302071
3	MV273-7,5-V	21.1303071

MV49x-9,52-V



GENERAL INFORMATION

pitch:	9,52 mm
housing height:	21,00 mm
housing depth:	12,5 mm
dimensional class:	high
wire section:	6.0 mm ² / 10 AWG
clamp opening size:	3.2 x 3.9 mm
wire stripping:	max 9 mm
operating temperature:	-40°C ÷ +130°C

ELECTRICAL CHARACTERISTICS

current:	32A
voltage:	750V
test voltage:	3 kVrms/60s

MECHANICAL CHARACTERISTICS

screw:	M3
max. torque:	0.8 Nm / 7.2 in.lbs

APPROVALS DATA



EN 60998-1

current:	32A
voltage:	750V
wire section:	6.0mm ²
torque:	0.8Nm
FILE:	EP150



EN 60998-1

current:	32A
voltage:	750V
wire section:	4.0mm ²
torque:	0.5Nm
FILE:	40014734



UL 1059

current:	30A factory / 30A field
voltage:	600V
wire section:	10÷30AWG
torque:	7.2Lb-in
FILE:	E178356

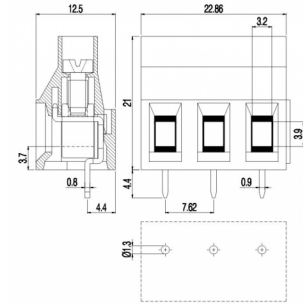
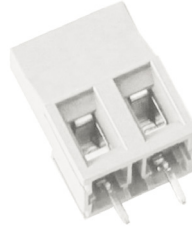
MATERIALS

housing:	PA - UL 94 V0
screw:	Galvanized steel
clamp/spring:	Nickel-coated copper alloy

poles P/N codes

2	MV492-9,52-V	21.1702091
3	MV493-9,52-V	21.1703091

MV47x-7,62-V



GENERAL INFORMATION

pitch:	7,62 mm
housing height:	21,00 mm
housing depth:	12,5 mm
dimensional class:	high
wire section:	6.0 mm ² / 10 AWG
clamp opening size:	3.2 x 3.9 mm
wire stripping:	max 9 mm
operating temperature:	-40°C ÷ +130°C

ELECTRICAL CHARACTERISTICS

current:	32A
voltage:	750V
test voltage:	3 kVrms/60s

MECHANICAL CHARACTERISTICS

screw:	M3
max. torque:	0.8 Nm / 7.2 in.lbs

APPROVALS DATA



EN 60998-1

current:	32A
voltage:	750V
wire section:	6.0mm ²
torque:	0.8Nm
FILE:	EP150



EN 60998-1

current:	32A
voltage:	750V
wire section:	4.0mm ²
torque:	0.5Nm
FILE:	40014734



UL 1059

current:	30A factory / 30A field
voltage:	300V
wire section:	10÷30AWG
torque:	7.2Lb-in
FILE:	E178356

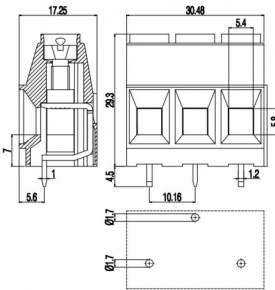
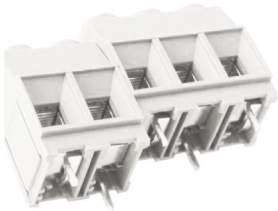
MATERIALS

housing:	PA - UL 94 V0
screw:	Galvanized steel
clamp/spring:	Nickel-coated copper alloy
terminal:	Tin-plated copper alloy

poles P/N codes

2	MV472-7,62-V	21.1502071
3	MV473-7,62-V	21.1503071

MV10x-10,16-V-A



GENERAL INFORMATION

pitch:	10,16 mm
housing height:	29,30 mm
housing depth:	17,25 mm
dimensional class:	high
wire section:	10 mm ² / 8 AWG
clamp opening size:	5.4 x 5.8 mm
wire stripping:	max 15 mm
operating temperature:	-40°C ÷ +130°C

ELECTRICAL CHARACTERISTICS

current:	42A
voltage:	750V
test voltage:	3 kVrms/60s

MECHANICAL CHARACTERISTICS

screw:	M4
max. torque:	1.2 Nm / 10.8 in.lbs

APPROVALS DATA



-

current:	-
voltage:	-
wire section:	-
torque:	-
FILE:	-



EN 60998-1

current:	49A
voltage:	750V
wire section:	16mm ²
torque:	1.5Nm
FILE:	40034945



UL 1059

current:	42A factory / 42A field
voltage:	300V
wire section:	8÷30AWG
torque:	10.8Lb-in
FILE:	E178356

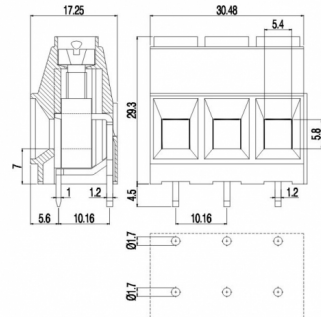
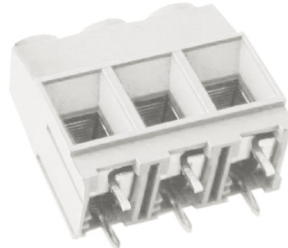
MATERIALS

housing:	PA - UL 94 V0
screw:	Galvanized steel
clamp/spring:	Nickel-coated copper alloy
terminal:	Tin-plated copper alloy

poles P/N codes

2	MV102-10,16-V-A	21.0102101
3	MV103-10,16-V-A	21.0103101

MV10x-10,16-V



GENERAL INFORMATION

pitch:	10,16 mm
housing height:	29,20 mm
housing depth:	17,25 mm
dimensional class:	high
wire section:	10 mm ² / 8 AWG
clamp opening size:	5.4 x 5.8 mm
wire stripping:	max 15 mm
operating temperature:	-40°C ÷ +130°C

ELECTRICAL CHARACTERISTICS

current:	57A
voltage:	750V
test voltage:	3 kVrms/60s

MECHANICAL CHARACTERISTICS

screw:	M4M4
max. torque:	1.2 Nm / 10.8 in.lbs

APPROVALS DATA



-

current:	-
voltage:	-
wire section:	-
torque:	-
FILE:	-



EN 60998-1

current:	70A
voltage:	750V
wire section:	16mm ²
torque:	1.5Nm
FILE:	40034945



UL 1059

current:	57A factory / 57A field
voltage:	300V
wire section:	6÷30AWG
torque:	10.8Lb-in
FILE:	E178356

MATERIALS

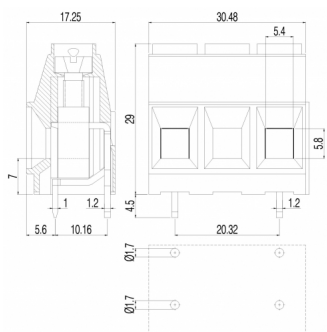
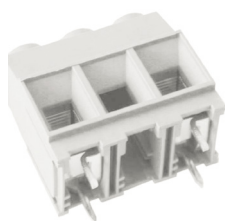
housing:	PA - UL 94 V0
screw:	Galvanized steel
clamp/spring:	Nickel-coated copper alloy
terminal:	Tin-plated copper alloy

poles P/N codes

1	MV101-10,16-V	21.5701051
2	MV102-10,16-V	21.5702051
3	MV103-10,16-V	21.5703051

MV10x-20,32-V

TERMINAL



GENERAL INFORMATION	
pitch:	20,32 mm
housing height:	29,30 mm
housing depth:	17,25 mm
dimensional class:	high
wire section:	10 mm ² / 8 AWG
clamp opening size:	5.4 x 5.8 mm
wire stripping:	max 15 mm
operating temperature:	-40°C ÷ +130°C

ELECTRICAL CHARACTERISTICS	
current:	57A
voltage:	750V
test voltage:	3 kVrms/60s

MECHANICAL CHARACTERISTICS	
screw:	M4
max. torque:	1.2 Nm / 10.8 in.lbs

APPROVALS DATA



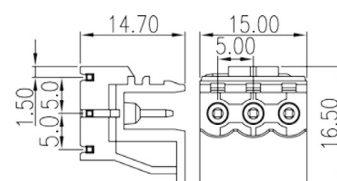
current:	-	70A	57A factory / 57A field
voltage:	-	1000V	600V
wire section:	-	16mm ²	6÷30AWG
torque:	-	1.5Nm	10.8Lb-in
FILE:	-	40034945	E178356

MATERIALS

housing:	PA - UL 94 V0
screw:	Galvanized steel
clamp/spring:	Nickel copper alloy
terminal:	Tin-plated copper alloy

poles	P/N	codes
1	MV101-20,32-V	21.5701101
2	MV102-20,32-V	21.5702101

5EH - xPL



GENERAL INFORMATION	
pitch:	5,00 mm
housing height:	16,50 mm
housing depth:	14,70 mm
dimensional class:	-
wire section:	-
clamp opening size:	-
wire stripping:	-
operating temperature:	-40°C ÷ +115°C

ELECTRICAL CHARACTERISTICS	
current:	18A
voltage:	-
test voltage:	3 kV

MECHANICAL CHARACTERISTICS	
screw:	-
max. torque:	-

APPROVALS DATA



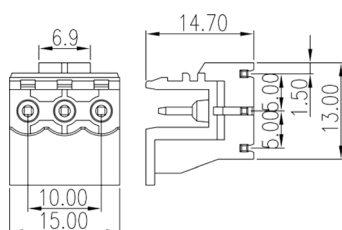
current:	15A factory / 15A field
voltage:	300V
wire section:	-
torque:	-

MATERIALS

housing:	PA - UL 66 V0
screw:	-
clamp/spring:	Copper alloy
terminal:	Copper alloy

poles	P/N	codes
3	5EH - 3PL	22.0103030
4	5EH - 4PL	22.0104030

5EH - xPR



GENERAL INFORMATION	
pitch:	5,00 mm
housing height:	18,00 mm
housing depth:	15,00 mm
dimensional class:	-
wire section:	-
clamp opening size:	-
wire stripping:	-
operating temperature:	-40°C ÷ +115°C

ELECTRICAL CHARACTERISTICS	
current:	18A
voltage:	-
test voltage:	4 kV

MECHANICAL CHARACTERISTICS	
screw:	-
max. torque:	0.4 Nm

APPROVALS DATA



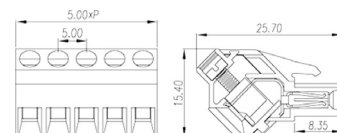
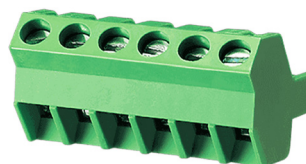
current:	10A factory / 10A field
voltage:	300V
wire section:	-
torque:	-

MATERIALS

housing:	PA - UL 66 V0
screw:	-
clamp/spring:	Copper alloy
terminal:	Copper alloy

poles	P/N	codes
3	5EH - 3PR	22.0203030
4	5EH - 4PR	22.0204030

5ESDA - xXP



GENERAL INFORMATION	
pitch:	5,00 mm
housing height:	15,40 mm
housing depth:	5.00xP mm
dimensional class:	-
wire section:	2,5 mm ²
clamp opening size:	-
wire stripping:	-
operating temperature:	-40°C ÷ +115°C

ELECTRICAL CHARACTERISTICS	
current:	18A
voltage:	-
test voltage:	4 kV

MECHANICAL CHARACTERISTICS	
screw:	-
max. torque:	0.5 Nm

APPROVALS DATA



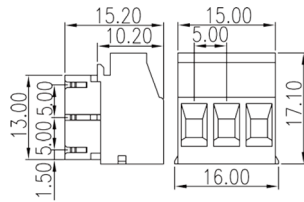
current:	15A factory / 15A field
voltage:	300V
wire section:	12÷28AWG
torque:	-

MATERIALS

housing:	PA - UL 66 V0
screw:	-
clamp/spring:	Copper alloy
terminal:	Copper alloy

poles	P/N	codes
3	5ESDA - 3XP	22.0303030
4	5ESDA - 4XP	22.0304030

5ES - xPL



GENERAL INFORMATION

pitch:	5,00 mm
housing height:	17,10 mm
housing depth:	15,00 mm
dimensional class:	-
wire section:	2,5 mm ²
clamp opening size:	-
wire stripping:	-
operating temperature:	-40°C ÷ +115°C

ELECTRICAL CHARACTERISTICS

current:	18A
voltage:	-
test voltage:	4 kV

MECHANICAL CHARACTERISTICS

screw:	-
max. torque:	0.4 Nm

APPROVALS DATA



UL 1059

current:	10A factory / 10A field
voltage:	300V
wire section:	14÷22AWG
torque:	-

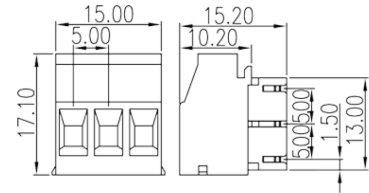
MATERIALS

housing:	PA - UL 66 V0
screw:	-
clamp/spring:	Copper alloy
terminal:	Copper alloy

poles P/N codes

3	5ESDA - 3XP	22.0403030
4	5ESDA - 4XP	22.0404030

5ES - xPR



GENERAL INFORMATION

pitch:	5,00 mm
housing height:	17,10 mm
housing depth:	15,00 mm
dimensional class:	-
wire section:	2,5 mm ²
clamp opening size:	-
wire stripping:	-
operating temperature:	-40°C ÷ +115°C

ELECTRICAL CHARACTERISTICS

current:	18A
voltage:	-
test voltage:	4 kV

MECHANICAL CHARACTERISTICS

screw:	-
max. torque:	0.4 Nm

APPROVALS DATA



UL 1059

current:	10A factory / 10A field
voltage:	300V
wire section:	14÷22AWG
torque:	-

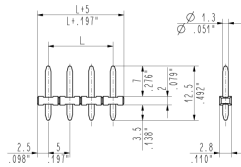
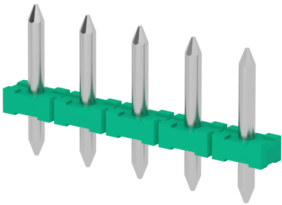
MATERIALS

housing:	PA - UL 66 V0
screw:	-
clamp/spring:	Copper alloy
terminal:	Copper alloy

poles P/N codes

3	5ESDA - 3XP	22.0503030
4	5ESDA - 4XP	22.0504030

22.CSM0xA1



GENERAL INFORMATION

pitch:	5,00 mm
housing height:	-
housing depth:	-
dimensional class:	-
wire section:	0,05 ÷ 2,5 mm ²
clamp opening size:	-
wire stripping:	-
operating temperature:	-40°C ÷ +115°C

ELECTRICAL CHARACTERISTICS

current:	12A
voltage:	300V
test voltage:	4 kV

MECHANICAL CHARACTERISTICS

screw:	-
max. torque:	0.4 Nm

APPROVALS DATA



UL, VDE, IMQ, CSA

current:	12A
voltage:	300V
wire section:	0.05 ÷ 2.5 mm ²
torque:	-

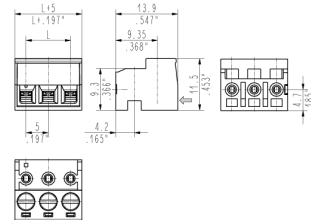
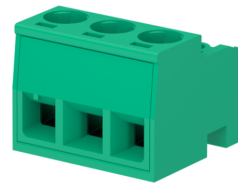
MATERIALS

housing:	PA
screw:	-
clamp/spring:	-
terminal:	Nickel and tin on copper alloy

poles codes

2	22.CSM02A1
3	22.CSM03A1
4	22.CSM04A1
5	22.CSM05A1
6	22.CSM06A1
7	22.CSM07A1
9	22.CSM09A1

22.CSF0xS1



GENERAL INFORMATION

pitch:	5,00 mm
housing height:	-
housing depth:	-
dimensional class:	-
wire section:	0,05 ÷ 2,5 mm ² / 30 ÷ 14 AWG
clamp opening size:	-
wire stripping:	-
operating temperature:	-40°C ÷ +115°C

ELECTRICAL CHARACTERISTICS

current:	12A
voltage:	300V
test voltage:	4 kV

MECHANICAL CHARACTERISTICS

screw:	-
max. torque:	0.4 Nm

APPROVALS DATA



UL, VDE, IMQ, CSA

current:	12A
voltage:	300V
wire section:	0.05 ÷ 2.5 mm ² / 30 ÷ 14 AWG
torque:	-

MATERIALS

housing:	PA
screw:	Nickel-plated copper alloy
clamp:	Nickel-plated copper alloy
spring:	Tin-plated copper alloy
terminal:	-

poles codes

2	22.CSF02S1
3	22.CSF03S1
4	22.CSF04S1
5	22.CSF05S1
6	22.CSF06S1
7	22.CSF07S1
9	22.CSF09S1

